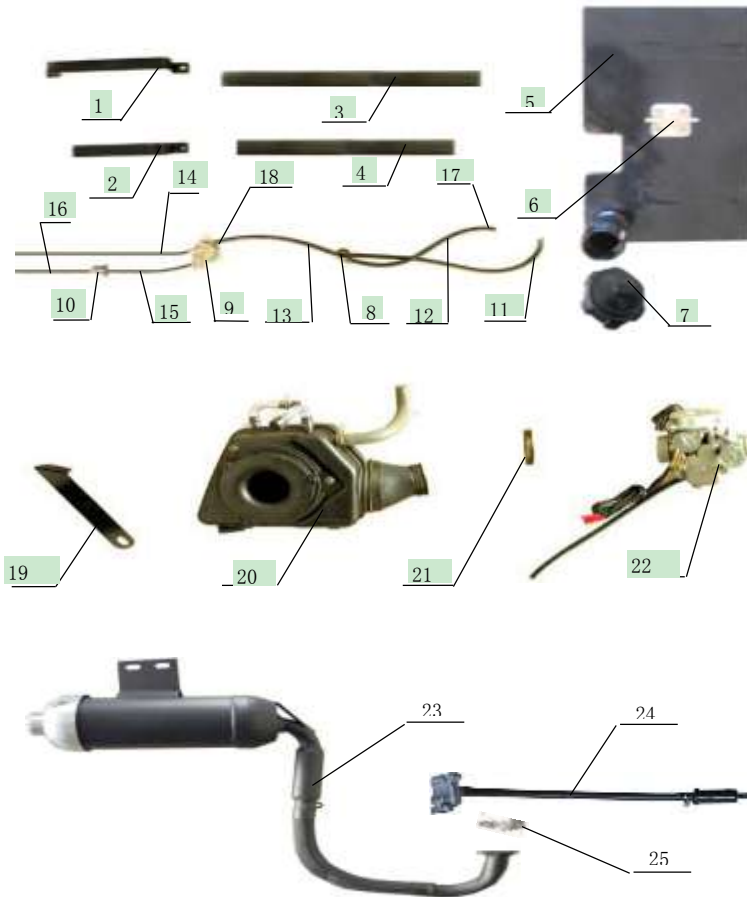


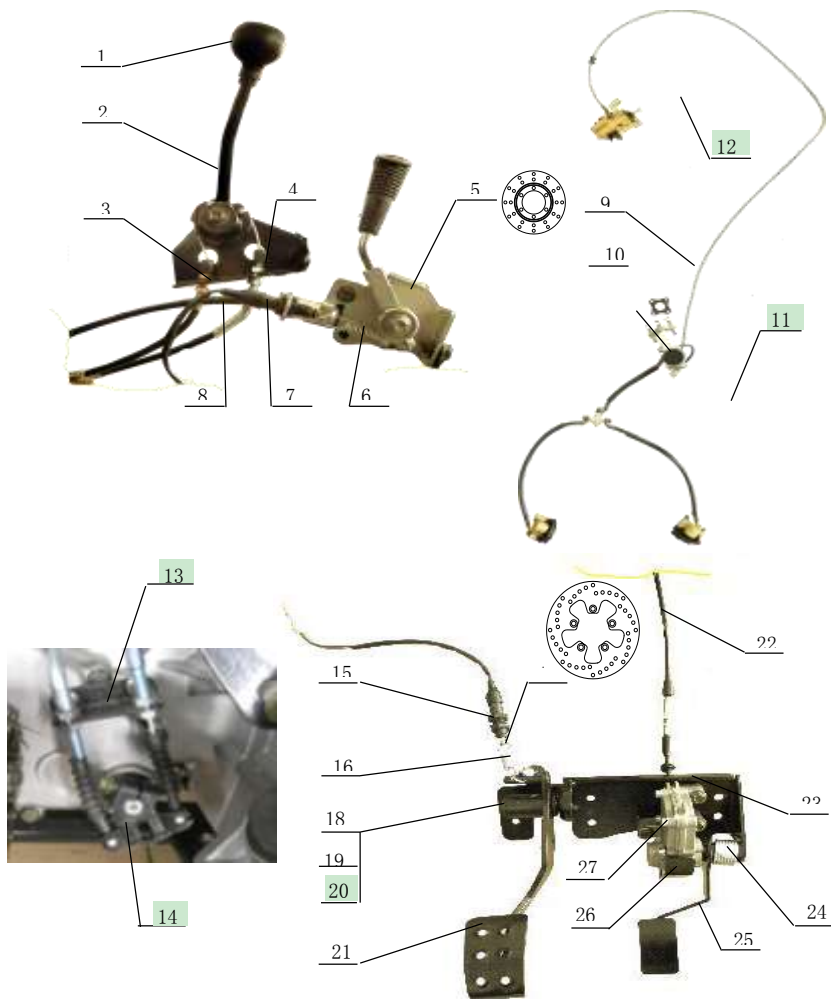
1、车架及附件

No	Ref No	Description	QTY	Unit
1	19-0801010	Frame	1	1
2	19-0801020	Front joint pipe	1	1
3	19-0801021		4	1
4	19-0801030	rear joint pipe	1	1
5	19-0801040	railing right	1	1
6	19-0801050	railing left	1	1
7	19-0801070	engine hang	1	1
8	19-0100710	shock absorbing bush	2	1
9	19-0100502	rear hang shelf	1	1
10	19-0100501	engine secondary hang	1	1
11	19-0801080	engine shock absorber	4	1
12	19-0100503	seat support shelf	1	1
13	19-0801060		1	1
14	19-0800201	small net door left	1	1
	19-0800202	small net door right	1	1
15	19-0800203	big net door left	1	1
	19-0800204	big net door right	1	1
16	19-0100805	front Dust-proof cover	2	1
17	19-0100803	front wheel rim 8x5.5	2	1
18	19-0100801	front tyre 19x7R8	2	1
19	19-0100806	rear Dust-proof cover	2	1
20	19-0100804	rear wheel rim 9x8	2	1
21	19-0100802	rear tyre 20x10-9	2	1
22	19-0800401	安全带	seat belt	2
23	19-0800301	座椅	seat	2
24	19-0800302	主驾驶座椅滑道	main driver	1套
25	19-0800303	副驾驶座椅滑道	vice driver s	1套



2、燃油系统、进气系统、排气系统

No	Ref No	Description	QTY	Unit
1	19-0400102	fuel tank clamp big	1	1
2	19-0400103	fuel tank clamp small	1	1
3	19-0400104	fuel tank rubber strip L=400	1	1
4	19-0400105	fuel tank rubber strip L=360	1	1
5	19-0400108	fuel tank	1	1
6	19-0400100	fuel tank cap	1	1
7	19-0400101	oil-out	1	1
8	19-0400107	fuel tank switch	1	1
9	19-0400106	fuel oil vacuum pump	1	1
10	19-0400110	petrol filter	1	1
11	19-0400111	oil pipe 1 $\Phi 6$ L=590	1	1
12	19-0400112	oil pipe 2 $\Phi 6$ L=400	1	1
13	19-0400113	oil pipe 3 $\Phi 6$ L=310	1	1
14	19-0400114	oil pipe 4 $\Phi 4.5$ L=460	1	1
15	19-0400115	oil pipe 5 $\Phi 4.5$ L=300	1	1
16	19-0400116	oil pipe 6 $\Phi 4.5$ L=240	1	1
17	04-0301010	fuel tank clamp big	6	1
18	04-0403006	fuel tank clamp small	6	1
19	19-0200502	air filter shelf	1	1
20	19-0200501	air filter	1	1
21	19-0200503	air filter clamp	1	1
22	19-0200204	carburetor	1	1
23	19-0700100	muffle	1	1
24	19-0200300		1	1
25	19-0700101	muffle cushion	1	1



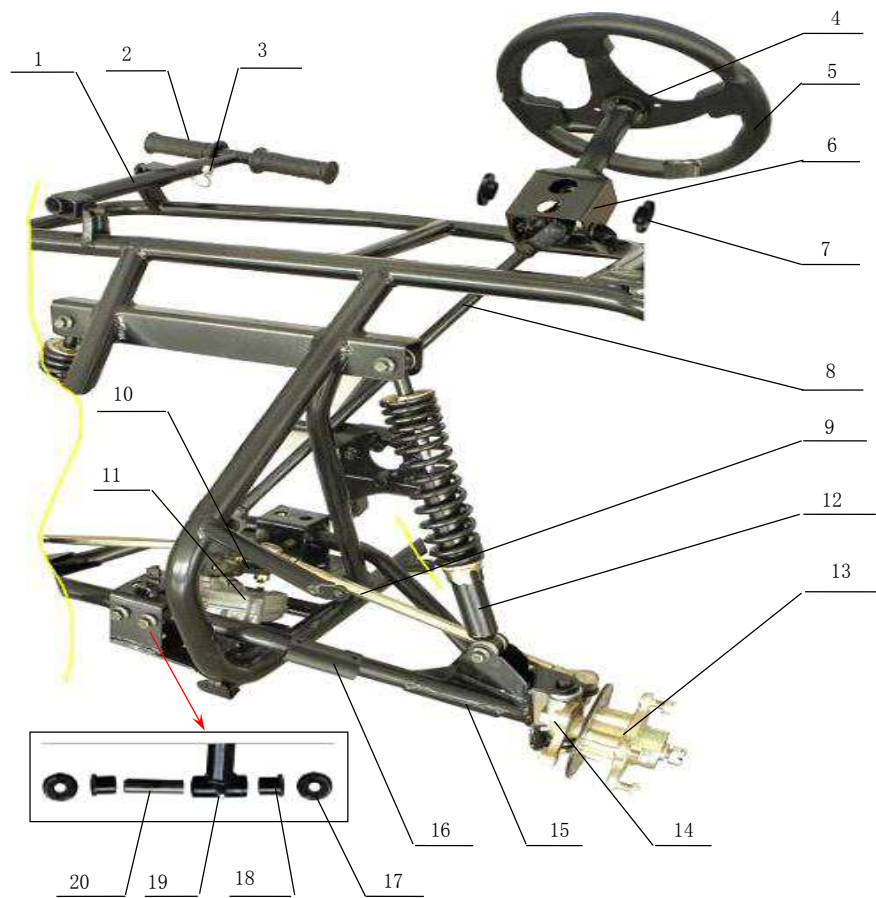
3、刹车、油门、变档

No	Ref No	Description	QTY	Unit
1	19-1100101	Shift ball	1	1
2	19-1100102	Shift lever	1	1
3	19-1100201	换挡线1 (右前)	gear shift ca	1
4	19-1100202	换挡线2 (左后)	gear shift ca	1
5	19-0600403	parking brake handle	1	1
6	19-0600404	switch spring	1	1
7	19-0900205	packing brake switch	1	1
8	19-0600408	packing brake cable	1	1

9	19-0600100	brake system assembly	1	1
10	19-0600106	brake pump joint plate	1	1
11	19-0600101	front brake disc	2	1
12	19-0600102	rear brake disc	1	1

13	19-1100203		1	1
14	19-1100204		1	1

15	19-0900205	foot brake switch	1	1
16	19-0600305	switch spring	1	1
17	19-0600304	foot brake spring	1	1
18	19-0600302	brake pedal inner bush	1	1
19	19-0600303	brake pedal nylon bush	2	1
20	060106	φ9 clamp spring	1	1
21	19-0600301	foot brake pedal	1	1
22	19-0400201	throttle cable	1	1
23	19-0600200	brake pedal shelf	1	1
24	19-0400202	accelerator pedal spring	1	1
25	19-0400203	accelerator pedal	1	1
26	19-0400204	accelerator pedal limited po	1	1
27	19-0400300	accelerator	1	1

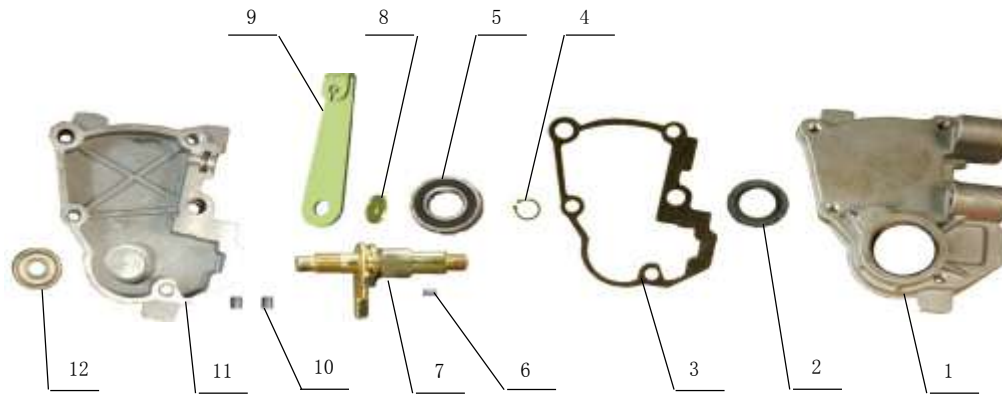


4、前悬挂系统、转向系统

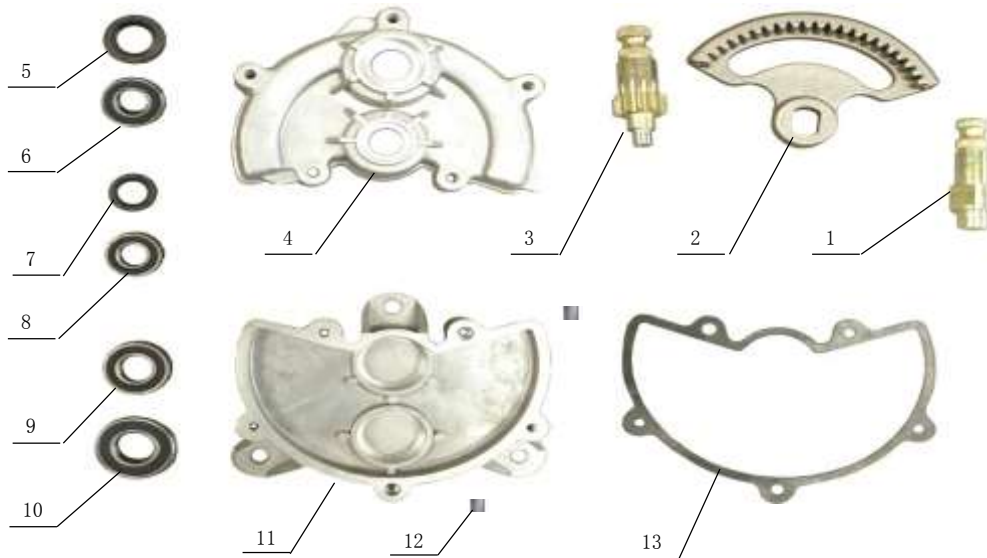
No	Ref No	Description	QTY	Unit
1	19-0800500	copilot handrail	1	1
2	19-0800503	grip	2	1
3	19-0800504	pin	1	1
4	19-0500302		1	1

5	19-0500301	steering wheel	1	1
6	19-0500100	steering columns	1	1
7	19-0500101		2	1
8	19-0500200	steering linkage	1	1
9	19-0500600		2	1
10	19-0500500	steering arm	1	1
11	19-0500400	Redirector	1	1

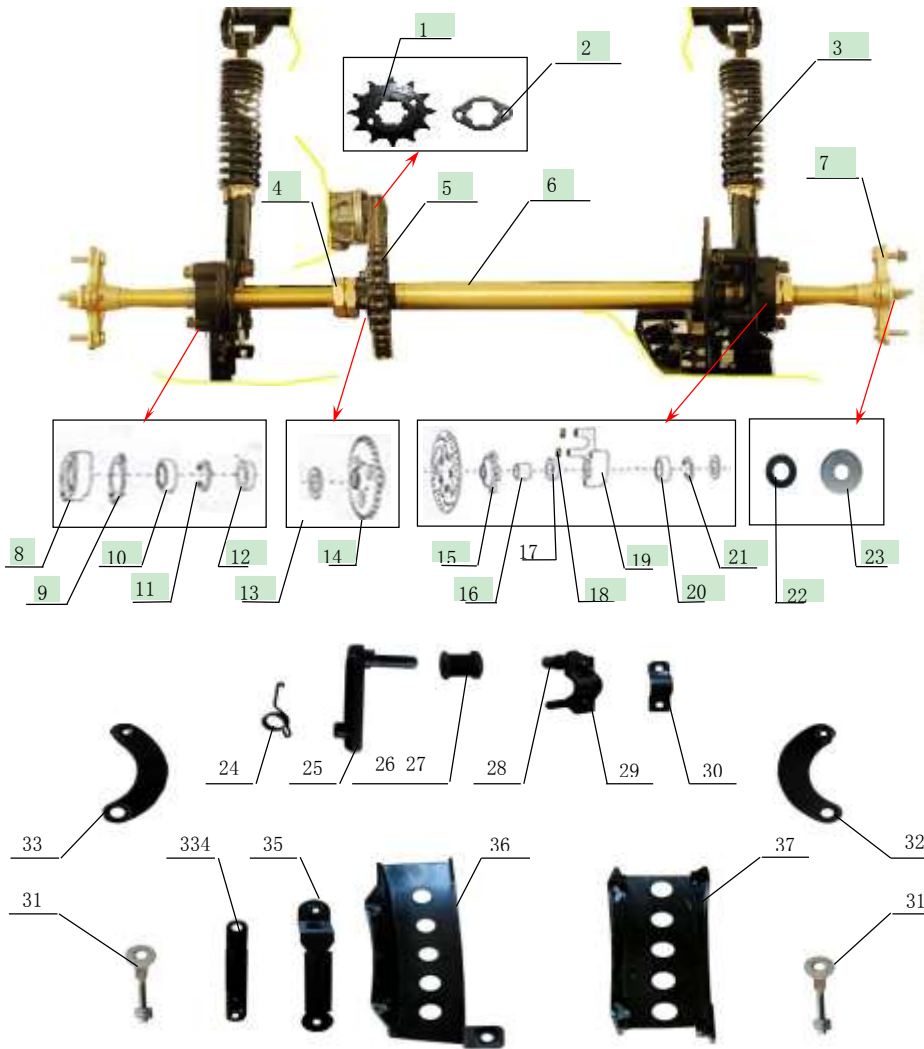
12	19-0100101	front shock absorption	2	1
13	19-0100201	front driver disc	2	1
14	19-0100401	cavel axle left	1	1
	19-0100402	cavel axle right	1	1
15	19-0100301	front swing arm right	1	1
	19-0100302	front swing arm left	1	1
16	19-0100306	front swing arm brake cable	2	1
17	19-0100305	swing arm dust proof cap	8	1
18	19-0100304	swing arm nylon cover	8	1
19	19-0100307	grease nipple	4	1
20	19-0100303	swing arm inner bush	4	1



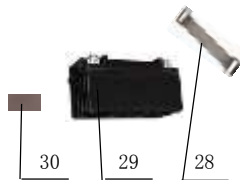
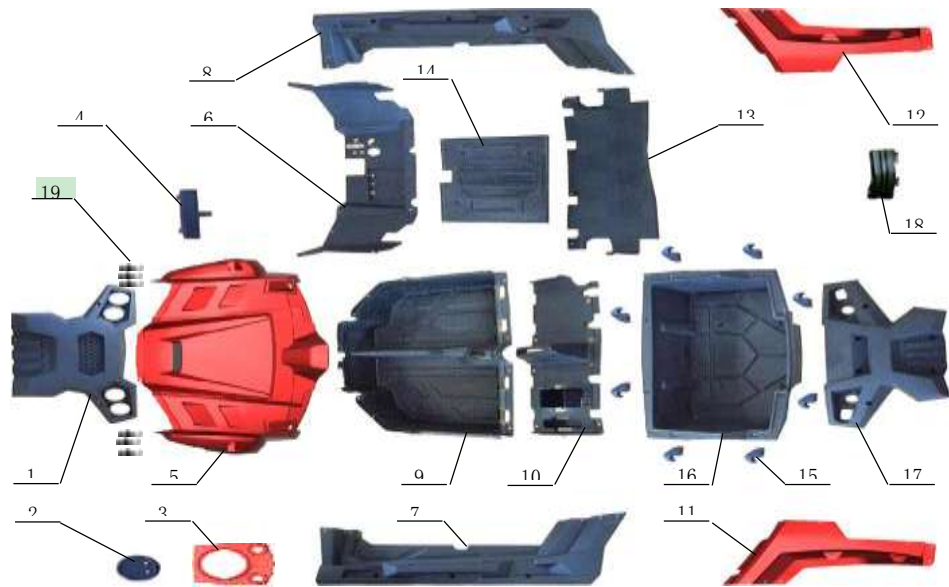
19-0400300		accelerator		
1	19-0400302	accelerator shell right	1	1
2	040137	oil seal 15*26*4.5	1	1
3	19-0400307	gasket	2	1
4	060109	clamp spring Φ15	1	1
5	050126	bearing (61902)	1	1
6	19-0400308	flat key 9.5*3.8*4	1	1
7	19-0400305	intermediate axle	1	1
8	19-0400309	convex plate gasket	1	1
9	19-0400304	throttle cable shelf	1	1
10	19-0400306	dowel 8x14	1	1
11	19-0400301	accelerator shell right	1	1
12	050125	bearing 608	1	1



19-0500400		Redirector		
1	19-0500407	Redirector inner shaft	1	1
2	19-0500405	Redirector inner sector gear	1	1
3	19-0500406	Redirector inner pinion	1	1
4	19-0500401	Redirector hull upper	1	1
5	040138	oil seal 17*25*4	1	1
6	050121	bearing 6003	1	1
7	040139	oil seal 20*32*7	1	1
8	050122	bearing 6004	1	1
9	050123	bearing 6202	1	1
10	050124	bearing 6300	1	1
11	19-0500402	Redirector hull lower	1	1
12	19-0400306	dowel 8x14	2	1
13	19-0500404	gasket	1	1



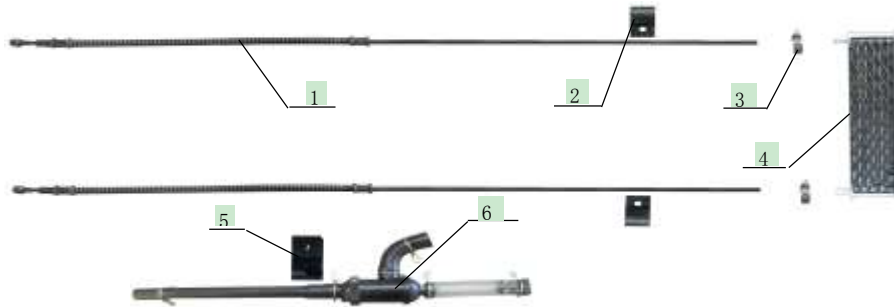
No	Ref No	Description	QTY	Unit
1	19-0100702	engine small chain wheel	1	
2	19-0100703	small chain wheel retaining	1	
3	19-0100102	rear shock absorption	2	1
4	19-0100614		4	1
5	19-0100704	chain	1	1
6	19-0100601	rear axle	1	1
7	19-0100202	rear driver disc	2	1
8	19-0100604	bearing seat	1	1
9	19-0100611	bearing seat gasket		
10	050120	6206 bearing	1	1
11	060204	clamp spring φ62	1	1
12	040136	oil seal 32*62*7	1	1
13	19-0100607	rear chain wheel spline hous	1	
14	19-0100701	chain wheel	1	
15	19-0100605	rear break disc spline housi	1	
16	19-0100608	shaft housing	1	
17	19-0100610	small shaft housing	1	1
18	19-0100612		2	1
19	19-0100603		1	1
20	050119	62/32CLU bearing	1	1
21	060205	clamp spring φ65	1	1
22	19-0100613		2	1
23	19-0100807		2	1
24	19-0100716	tensioner return spring	1	1
25	19-0100709	chain wheel limit pedal	1	1
26	19-0100708	chain wheel guide wheel	1	1
27	060107	φ10 clamp spring	1	1
28	19-0100713	chain wheel rubber column	1	1
29	19-0100712	chain wheel clamp lower	1	1
30	19-0100711	chain wheel clamp upper	1	1
31	19-0100705	chain adjuster	2	1
32	19-0100608	rear axle fixed block stop sl	1	1
33	19-0100609	rear axle fixed block stop sl	1	1
34	19-0100714	chain box fixed shelf 2	1	1
35	19-0100715	chain box fixed shelf 1	1	1
36	19-0100706	chain wheel lower shield	1	1
37	19-0100707	brake plate lower shield	1	1



6、覆盖件

No	Ref No	Description	QTY	Unit
1	19-1000101	front fender	1	1
2	19-1000102	fake instrument	1	1
3	19-1000103	instrument seat	1	1
4	19-1000104	air window	1	1
5	19-1000105	hood	1	1
6	19-1000106	front guard	1	1
7	19-1000107	left guard	1	1
8	19-1000108	right guard	1	1
9	19-1000109	footrest pedal	1	1
10	19-1000110	seat baseboard	1	1
11	19-1000111	left wheel arch	1	1
12	19-1000112	right wheel arch	1	1
13	19-1000113	back guard board	1	1
14	19-1000114	tank toe-board	1	1
15	19-1000115	pothook	8	1
16	19-1000116	packingcase	1	1
17	19-1000117	rear fender	1	1
18	19-1000118	chain wheel guard	1	1
19	19-1000121		53	1

20	19-0900301	front light (with fog light)	2	1
	19-0900302	front light	2	1
21	19-0900305	rear tail light left	1	1
	19-0900306	rear tail light right	1	1
22	19-0900307	combination switch	1	1
23	19-0900201	switch lock	1	1
24	19-0900304	N light	1	1
25	19-0900303	R light	1	1
26	19-1000119	Plastic plug	1	1
27	19-1000120	combination switch spare pl	1	1
28	19-0900402	battery pull tie	1	1
29	19-0900401	battery	1	1
30	04-0916000	battery cushion	2	1



7、冷却系统、电气系统

No	Ref No	Description	QTY	Unit
1	19-0200402		2	1
2	19-0200403		2	1
3	19-0200404		2	1
4	19-0200401		1	1
5	19-0200406		1	1
6	19-0200405		1	1
7	19-0900101	WIRE HARENESS	1	1
8	19-0200203	CDI	1	1
9	19-0200201	IGNITION COIL	1	1
10	19-0200202	voltage regulator;	1	1
11	04-0912000	starting relay	1	1
12	04-0922000		1	1

