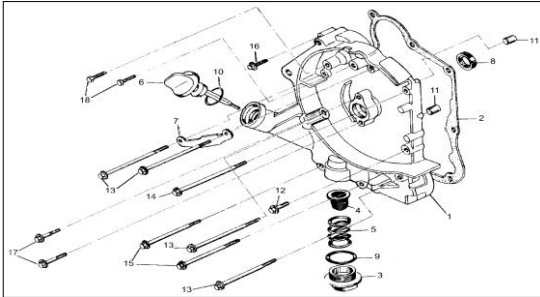
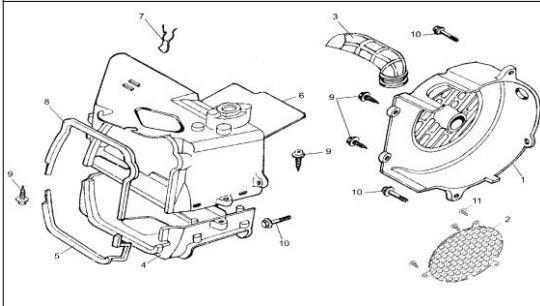


箱体

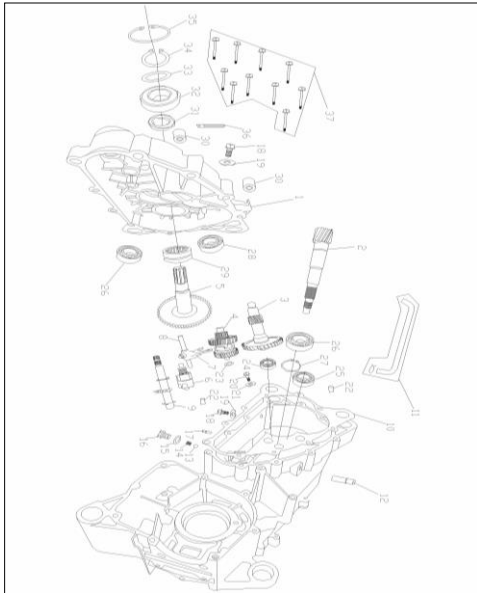
No	Ref No	Description	QTY
1	157.03.002	Right case	1
2	157F.12.114	Shock absorption cover	2
3	152.12.301	Crankcase Washer	1
4	157F.03.001	Left crankcase	1
5	157F.12.118	Dust-proof rubber plug	1
6	157F.111.207	Bolt	1
7	157F.11.405	Washer10, 2×18×1.3	1
8	157F.03.006	Left Cover	1
9	157F.12.107	O ring 108×2	1
10	157F.02.603	stop pin	1
11	157F.12.115	O ring 6×1.8	2
12	152.12.101	Dust seal 19, 8×30×5	1
13	GB/T16674	Hexagon flange bolts M6×18	12
14	157F.11.517	Dowel pin 10×14	2
15	152.11.205	Drain plug M12×1.5	1
16	GB97.1	Washer 12	1
17	152.12.102	Dust seal 20×32×6	1
18	152.02.601	Chain tension rod	1
19	152.11.515	Dowel pin 8×14	2
20	152.11.204	Stud bolt M8×195.5	2
21	152.11.203	Stud bolt M8×187.5	2
22	GB97.2	Washer 8	4
23	GB6177	Nut M8	4
24	GB/T16674	Hexagon flange bolts M6×50	2
25	152.09.001	Division plate	1
26	GB/T16674	Bolt M6×12	2
No	Ref No	Description	QTY
1	157F.03.003	Left crankcase cover	1
2	T1157F.11.530	Exhaust pipe strut	1
3	GB6187	Self-locking nut M12×1.25	1
4	GB/T276	Bearing 6200—2RZ	1
5	157F.12.302	Paper washer	1
6	GB/T16674	Bolt M6×40	8
7	157F.12.121	suction tube A	1
8	157F.12.122	suction tube B	1
9	157F.11.601	Hoop	2



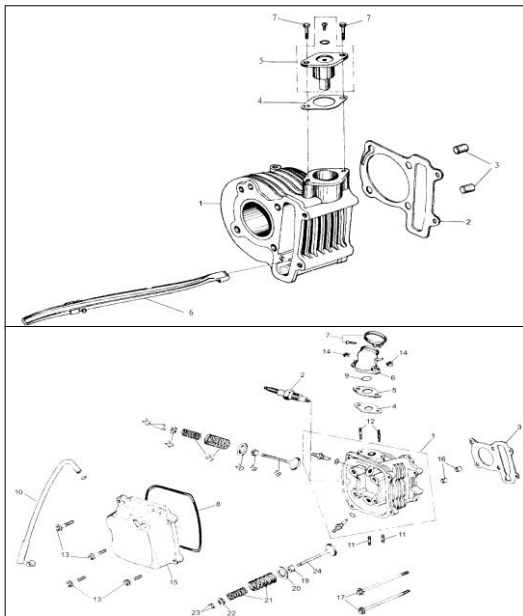
No	Ref No	Description	QTY
1	157F.03.004	Right crankcase cover	1
2	152.12.303	Paper washer	1
3	152.09.002	Screw cup	1
4	152.09.003	Oil strainer screen	1
5	152.09.004	Spring	1
6	152.12.201	Dipstick	1
7	152.11.508	Magneto clamp	1
8	152.12.101	Dust seal 19.8×30×5	1
9	152.12.110	O ring 30.8	1
10	152.12.108	O ring 18×3	1
11	152.11.515	Dowel pin 8×14	2
12	GB/T16674	Bolt M6×28	1
13	GB/T16674	Bolt M6×95	4
14	GB/T16674	Bolt M6×100	1
15	GB/T16674	Bolt M6×110	2
16	GB/T16674	Bolt M6×35	1
17	GB/T16674	Bolt M6×25	2
18	GB5783	Bolt M5×12	2



No	Ref No	Description	QTY
1	152.05.002	volute body	1
2	157A.12.305	Division plate	1
3	152.12.118	cooling duct	1
4	152.05.004	Under exhaust hood	1
5	152.12.117	Sealing strip	1
6	152.05.003	Upper exhaust hood	1
7	152.12.203	wire clamp	1
8	152.12.116	Sealing strip	1
9	GB/T16824.2	Self-tapping screw ST4.8×16	4
10	GB/T16674	Bolt M6×25	3
11	GB845	Self-tapping screw ST3.8×11	3

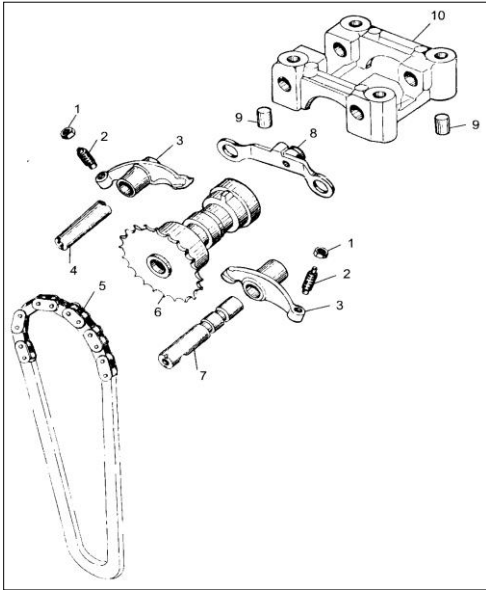


No	Ref No	Description	QTY
1	157F.03.005	Gear box cover	1
2	157F.10.401	Drive Shaft	1
3	157F.10.411	Reversing shaft	1
4	157F.10.420	Shift shaft	1
5	157F.10.402	Output shaft	1
6	157F.10.420	Gear Shift Drum	1
7	157F.10.403	Shift fork	1
8	157F.10.404	Fork shaft	1
9	157F.10.440	Shift fork shaft	1
10	157F.12.305	Paper washer	1
11	157F.12.113	Breather tube	1
12	157F.11.523	Breather mouth	1
13	GB/T308	Steel ball sΦ9.5	1
14	157F.10.410	Spring	1
15	157F.11.407	Washer 14.2×22×1.3	1
16	157F.10.409	Bolt	1
17	157F.11.524	Outfall	1
18	152.11.205	Drain plug	2
19	GB97.1	Washer 12	2
20	GB/T16674	Bolt M6×12	1
21	157F.11.408	Washer 6	1
22	157F.11.517	Dowel pin 10×14	2
23	157F.10.427	Adjusting washer 15	1
24	GB/T276	Bearing 6202	1
25	GB/T276	Bearing 6203	1
26	GB/T276	Bearing 6204	2
27	GB/T894.1	Snap ring Φ20	1
28	GB/T276	Bearing 6302	1
29	GB/T5801	Needle bearing RNA4905	1
30	157F.12.114	Shock absorption cover	2
31	157F.12.103	Dust seal 30×40×6	1
32	GB/T276	Bearing 6205-2RZ	1
33	157F.10.437	Adjusting washer 25	1
34	GB/T894.1	Snap ring Φ25	1
35	GB/T893.1	Snap ring Φ52	1
36	157F.11.503	Wire clamp	1
37	GB5789	Bolt M6×40	10



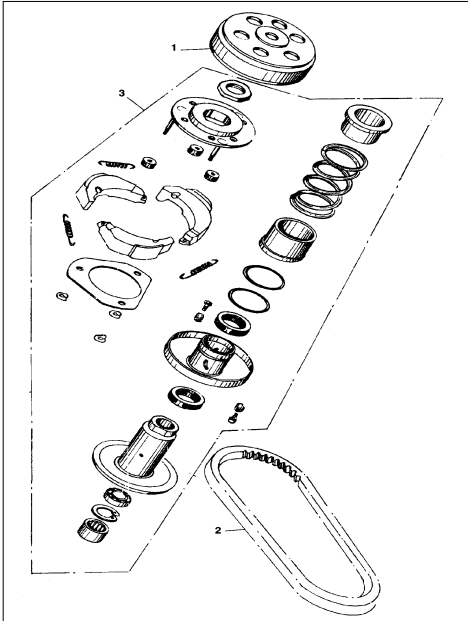
No	Ref No	Description	QTY
1	157.04.100	Cylinder	1
2	152.12.304	Paper washer	1
3	152.11.516	Dowel pin 10×16	2
4	152.09.003	Washer	1
5	152.02.400	Tensioner adjuster	1
6	152.02.602	Tensioner arm	1
7	GB/T16674	Bolt M6×20	1

No	Ref No	Description	QTY
1	157.04.200	Cylinder head	1
2	152.07.200	Spark plug (C7HSA NGK)	1
3	157.04.401	Washer	1
4	152.12.307	Washer	1
5	152.08.201	Heat insulation plate	1
6	152.08.200	Intake pipe	1
7	152.08.210	Hoop	1
8	152.12.111	Rubber ring	1
9	152.12.109	O ring 27×2	1
10	152.12.112	Breather pipe	1
11	152.11.201	Stud bolt M6×32	2
12	152.11.202	Stud bolt M6×63	2
13	GB/T16674	Bolt M6×25	4
14	GB6177	Bolt M6	2
15	152.04.301	Cylinder Head Cover	1
16	152.11.516	Dowel pin 10×16	2
17	GB/T16674	Bolt M6×100	2
18	157.02.301	Air scoop	1
19	152.12.104	Stem seal	2
20	152.02.306	Spring seat	2
21	152.02.303-30	Valve spring	2
22	152.02.305	Valve spring retainer	2
23	152.02.307	Cotter	4
24	157.02.302	Releaser	1



No	Ref No	Description	QTY
1	152.02.106	Adjusting nut	2
2	152.02.105	Valve clearance adjusting screw	2
3	152.02.102	Rocket arm	2
4	152.02.104	Releaser Weighshaft	1
5	152.02.500	Driving chain	1
6	152.02.200	Cam shaft	1
7	152.02.103	Airscoop Weighshaft	1
8	152.02.107	Brake plate	1
9	152.11.516	Dowel pin 10x16	2
10	152.02.101	Cam shaft holder	1

No	Ref No	Description	QTY
1	157F. 10. 100		1

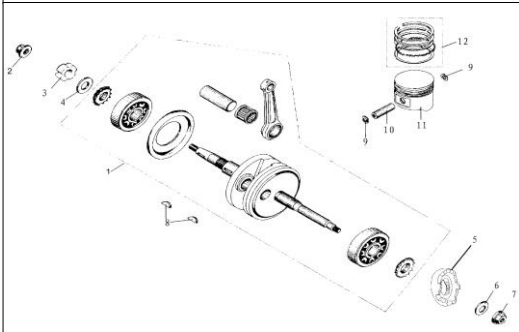
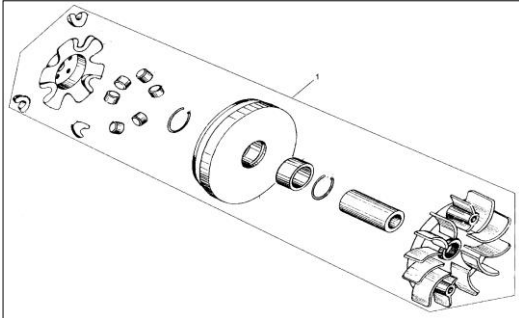


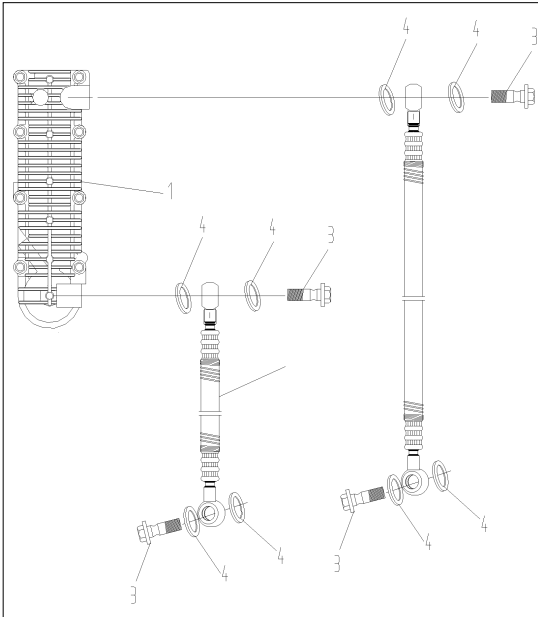
曲轴活塞组

No	Ref No	Description	QTY
1	157F. 01. 100		1
2	GB6187		1
3	152. 11. 301		1
4	152. 11. 402		1
5	157F. 06. 001		1
6	157F. 11. 403		1
7	GB6177		1
8	152. 11. 101		2
9	152. 01. 307		2
10	157. 01. 306		1
11	157. 01. 301		1
12	157. 01. 302-305		1

第8页
油冷器总成

No	Ref No	Description	QTY
1	157A. 13. 100		1
2	157A. 13. 007G		1
3	157A. 13. 004		4
4	157A. 13. 009		8
5	157A. 13. 008G		1





No	Ref No	Description	QTY
1	152.07.102		1
2	152.07.101		1
3	152.05.001		1
4	GB/T16674		4

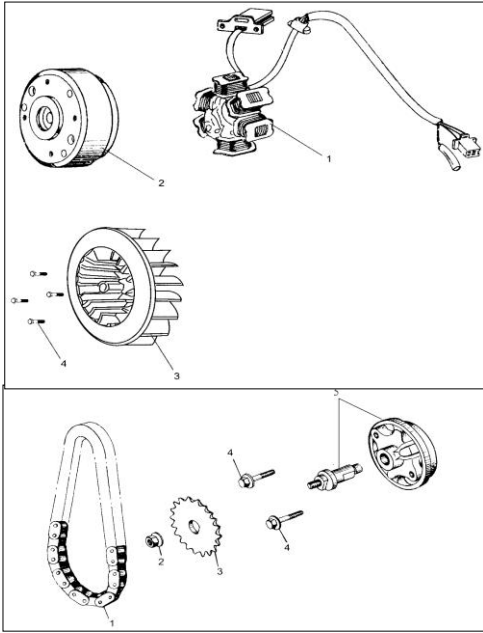
No	Ref No	Description	QTY
1	152.09.200		1
2	GB6177		1
3	152.09.005		1
4	GB/T16674		2
5	152.09.100		1

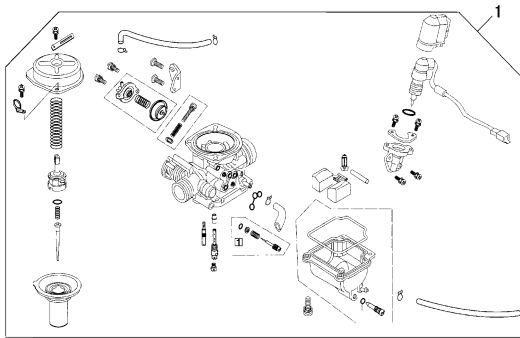
第10页
化油器总成

No	Ref No	Description	QTY
1	157.08.100		1

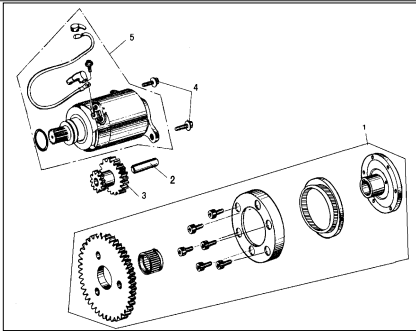
电起动系统

No	Ref No	Description	QTY
1	152.06.100		1
2	152.06.003		1
3	152.06.002		1
4	GB/T16674		2
5	152.07.500		1

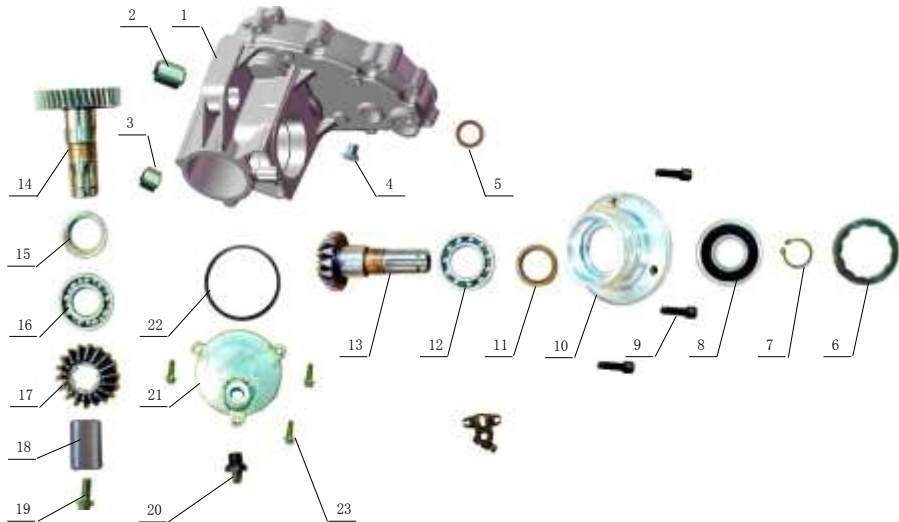




第11页



第11页



变速箱

No	Ref No	Chinese	Description	QTY	Unit	Unit price
1	19-0203001	变速箱壳体	transmission housing	1	1	
2	19-0100502	减震套	shock absorbtion	1	1	
3	19-0203002	下减震套	lower shock absorbtion	1	1	
5	040141	油封 14x28x7	oil seal 14x28x7	1	1	
6	19-0203003	锁紧螺母	locknut	1	1	
7	060108	轴用卡簧 Φ25	clamp spring Φ25	1	1	
8	050128	轴承 6305-2RS	bearing 6305-2RS	1	1	
10	19-0203004	轴承座	bearing seat	1	1	
11	040140	油封 30x40x6	oil seal 30x40x6	1	1	
12	050103	轴承 6006	bearing 6006	1	1	
13	19-0203005	锥齿轮轴	bevel gear shaft	1	1	
14	19-0203006	输出轴	output shaft	1	1	
15	050127	轴承 RNA4905	bearing RNA4905	1	1	
16	050105	轴承 6205	bearing 6205	1	1	
17	19-0203007	锥齿轮	bevel gear	1	1	
18	19-0203008	压紧套	packing set	1	1	
20	19-0203009	加油螺栓	fuel loading bolt	1	1	
21	19-0203010	端盖	end closure	1	1	
22	080006	O型圈 62x3.1	62x3.1 O ring	1	1	
4		放油螺栓 M12x16 六角法兰	Ablassschraube M12x16 flange	1	1	
9		内六角螺栓 M8x35	M8x35 bolt	3	1	
19		六角法兰螺栓 M8x22 反牙	M8x22 counter flange bolt	1	1	
23		六角法兰螺栓 M6x20	M6x20 flange bolt	3	1	