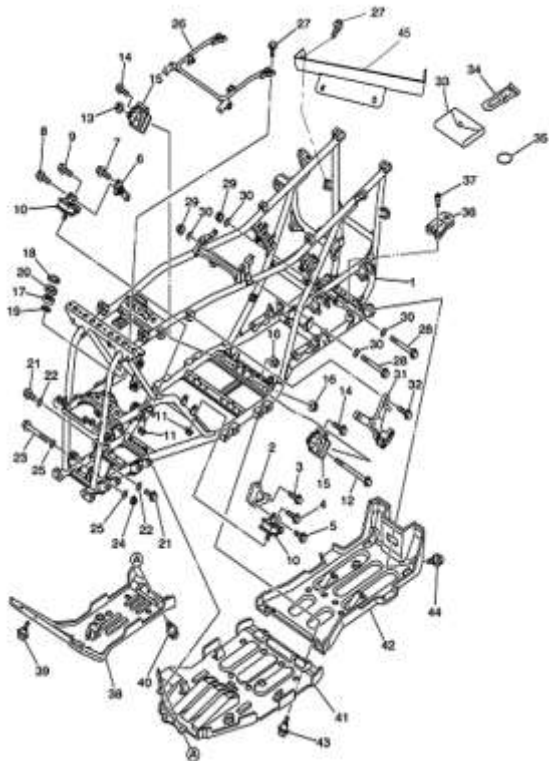
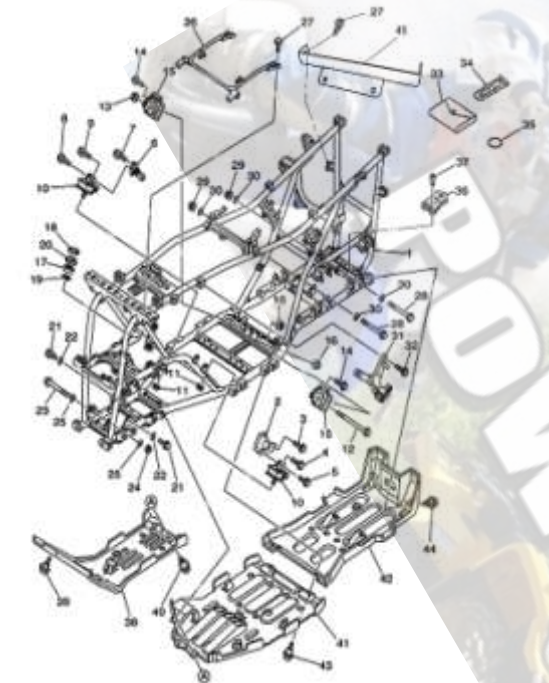


POWERMAX CANADA 500 BEARCLAWATV

FRAME BODY PART			
No.	Part No.	Part Name And Standard	Unit Price
1	51100-058-0000	jointing comp,frame body	\$673.31
2	54305-058-0000	Saty,engine	\$5.53
3	GB/T16674-96	sexangle flang bolt M8×20	\$0.88
4	GB/T16674-96	sexangle flang bolt M6×16	\$0.24
5	GB/T16674-96	sexangle flang bolt M8×20	\$1.87
6	54306-058-0000	Saty,engine 2	\$6.52
7	GB/T16674-96	sexangle flang bolt M8×20	\$0.88
8	GB/T16674-96	sexangle flang bolt M6×20	\$0.24
9	GB/T16674-96	sexangle flang bolt M6×16	\$1.87
10	54320-058-0000	Front bracket support	\$18.86
11	GB/T6187.1-2000000000	Self-locked nut M10×1.25	\$1.52
12	GB/T16674-96	sexangle flang bolt M10×170	\$4.62
13	GB/T6187.1-2000	Self-locked nut M10×1.25	\$1.50
14	GB/T16674-96	sexangle flang bolt M6×16	\$1.74
15	54330-058-0000	Rear bracket support	\$18.86
16	GB/T6187.1-20000	Self-locked nut M10×1.25	\$1.42
17	62118-023-0000	steering shaft bearing 6023	\$12.58
18	62121-023-0000	oil seal,steering shaft bearing upper	\$4.28
19	62122-023-0000	oil seal,steering shaft bearing under	\$4.19
20	62119-023-0000	locked nut M42×1,steering shaft bearing	\$8.48
21	GB/T16674-96	Sexangle flang bolt M10×25	\$2.41
22	GB95-85	Cushion φ,plate	\$2.04
23	GB/T16674-96	Sexangle flang bolt M10×115	\$4.09
24	GB/T6187.1-2000	Self-locked nut M10×1.25	\$1.50
FRAME BODY PART			
No.	Part No.	Part Name And Standard	Unit Price
25	GB95-85	cushion φ10,plate	\$3.04
26	19250-058-0000	Stay,fender	\$38.58
27	GB/T16674-96	Sexangle flang bolt M6×12	\$0.83
28	GB/T16674-96	Sexangle flang bolt M10×115	\$4.29
29	GB/T6187.1-2000	Self-locked nut M10×1.25	\$2.10
30	GB97-85	Cushion φ10,plate	\$2.04
31	23470-058-0000	Connecting bracket,gearshift	\$18.15
32	GB/T16674-96	Sexangle flang bolt M8×20	\$0.88
33	85100-058-0000	Tool kit	\$13.01
34	85103-058-0000	Gauge,air	\$14.19
35	91201-058-0000	O-ring	\$2.48
36	72302-058-0000	Hook	\$24.62
37	GB/T16674-96	Cap screw M10×25	\$1.21
38	82801-058-0000	Guard,engine 1	\$28.94



POWERMAX CANADA 500 BEARCLAWATV

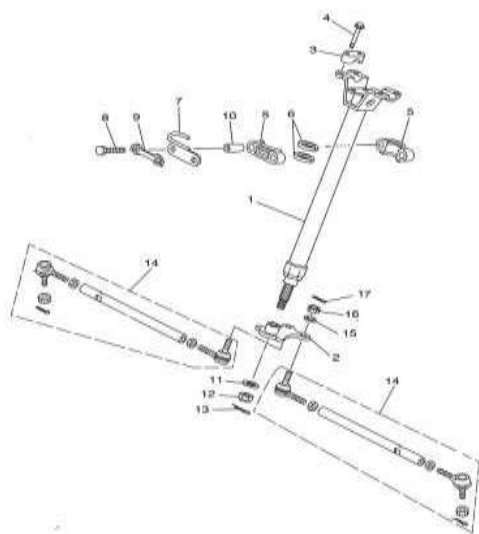
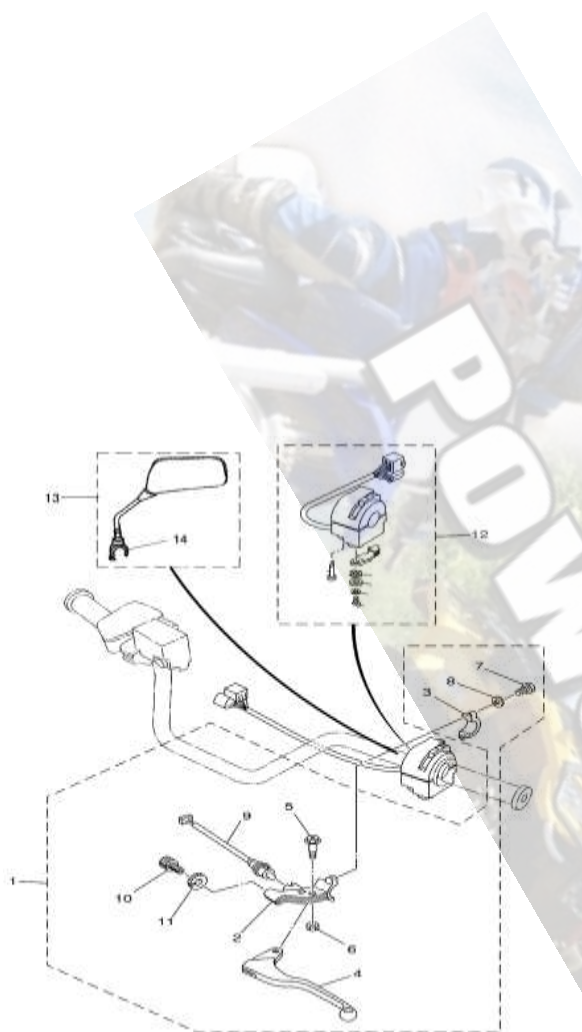


39	90101-058-0000	sexangle flang step bolt M6×16-φ10×4×12	\$0.76
40	90101-058-0000	sexangle flang step bolt M6×16-φ10×4	\$0.78
41	82802-058-0000	Guard,engine 2	\$38.40
42	82803-058-0000	Guard,engine 3	\$35.71
43	90101-058-0000	sexangle flang step bolt M6×16	\$0.86
44	90101-058-0000	sexangle flang step bolt M6×16-φ10×4×12	\$0.76
45	54211-058-0000	Rear license plate bracket	\$2.61

ELECTRICAL MACHINE PART

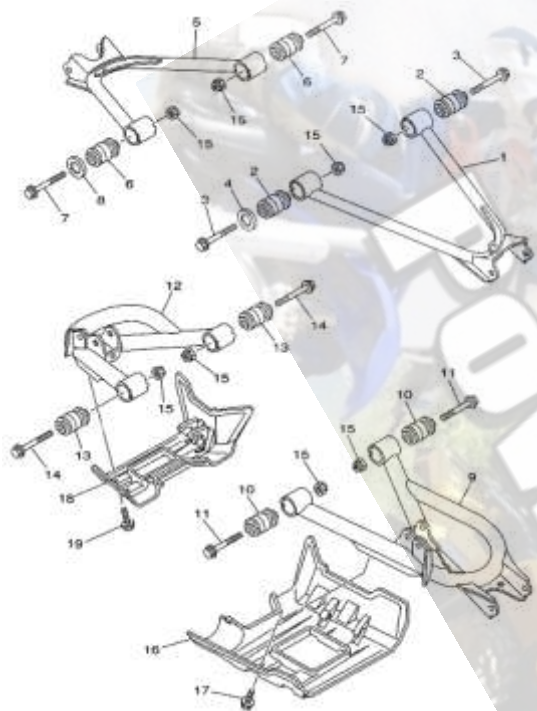
No.	Part No.	Part Name And Standard	Unit Price
1	33200-058-0000	CDI ignition unit	\$168.63
2	90302-025-0000	nut tapping M6×25	\$0.27
3	90302-025-0000	Plastic nut tapping	\$0.44
4	37180-058-0000	Neutral switch assy	\$41.18
5	91202-058-0000	O-ring	\$2.24
6	GB/T16674-96	sexangle flang bolt M6×16	\$0.54
7	37125-058-0000	Reverse speed-limit switch	\$14.77
8	GB95-85	Cushion,plate	\$1.34
9	33100-058-0000	high voltage bag	\$26.34
10	GB/T5783-2000	sexangle flang bolt M6×20	\$0.74
11	GB/T5783-2000	sexangle flang bolt M6×20	\$0.64
12	GB95-85	Cushion,plateφ10	\$0.34
13	33101-059-0000	high voltage bag&high voltage cap	\$22.55
14	19410-058-0000	Thermo switch assy	\$32.16
15	19430-058-0000	Thermo switch assy	\$27.16
16	36510-058-0000	Sensor,speed	\$67.07
17	36511-058-0000	Sensor tie line	\$4.55
18	32100-058-0000	rectifier,adjusting voltage	\$69.54
19	GB/T16674-96	sexangle flang bolt M6×20	\$0.84
20	32200-058-0000	Battery	\$72.94
21	32201-058-0000	press plate stand,battery	\$12.69
22	32202-023-0000	pressplate rubber washer,battery	\$2.06
23	32203-058-0000	protection plate,main cable	\$6.23
24	90302-025-0000	Plastic nut tapping	\$0.44
ELECTRICAL MACHINE PART			
No.	Part No.	Part Name And Standard	Unit Price
25	GB9456-88	tapping screw,cross groove ST6×15	\$0.25
26	34102-058-0000	plus wire,main cable	\$13.91
27	34101-058-0000	minus wire,main cable	\$12.48
28	34112-058-0000	Wire,lead	\$3.95

POWERMAX CANADA 500 BEARCLAWATV



No.	Part No.	Part Name And Standard	Unit Price
LEFT HANDLE BAR			
1	61210-058-0000	lever assy,front brake	\$42.59
2	61211-023-0000	lever,front brake	\$18.29
3	61212-023-0000	stop clip,stop brake	\$9.72
4	61213-023-0000	press plate,lever assy,front brake	\$11.58
5	61214-023-0000	bolt,stop clip,stop brake	\$2.24
6	GB/T6182.1-2000	nut M6	\$1.07
7	GB/T818-2000	head screw M6×16,cross groove plate	\$0.99
8	GB/T93-87	cushion φ 6 ,spring	\$0.52
9	43206-058-0000	switch assy,front brake	\$24.19
10	42106-058-0000	adjusting bolt,cable,stop brake	\$4.12
11	42107-058-0000	locked nut,cable,stop brake	\$3.12
12	37400-058-0000	left switch assy	\$84.16
13	85210-058-0000	Left rearview mirror assy	\$23.58
14	85201-058-0000	Seat, left rearview mirror	\$2.27
STEERING STEM PART			
No.	Part No.	Part Name And Standard	Unit Price
1	62120-058-0000	stem steering assy	\$102.31
2	62130-058-0000	shift swing arm,stem steering	\$33.16
3	61102-023-0000	press plate,stem steering	\$16.79
4	GB/T16674-96	sexangle flange bolt M8×30	\$1.09
5	62112-023-0000	internal&external stand,stem steering	\$8.89
6	62113-023-0000	stand seal washer,stem steering	\$3.11
7	62125-058-0000	stand bracket,stem steering	\$4.72
8	GB/T5783-2000	sexangle head bolt M8×60	\$2.11
9	62106-023-0000	stop drive washer,press plate,stem steering	\$1.24

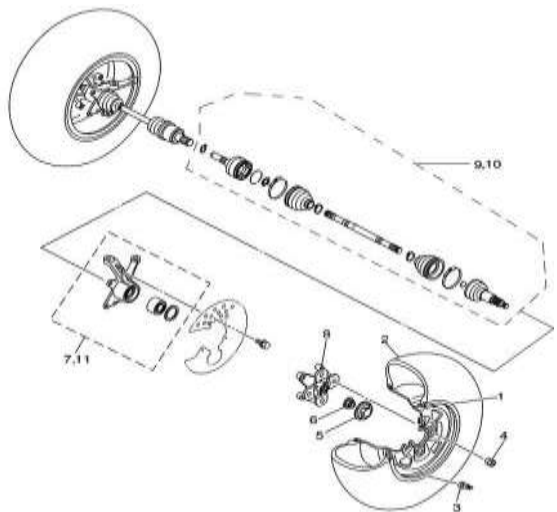
POWERMAX CANADA 500 BEARCLAWATV



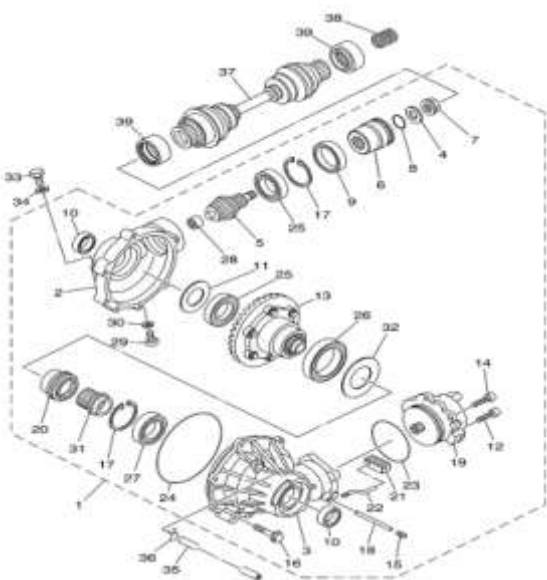
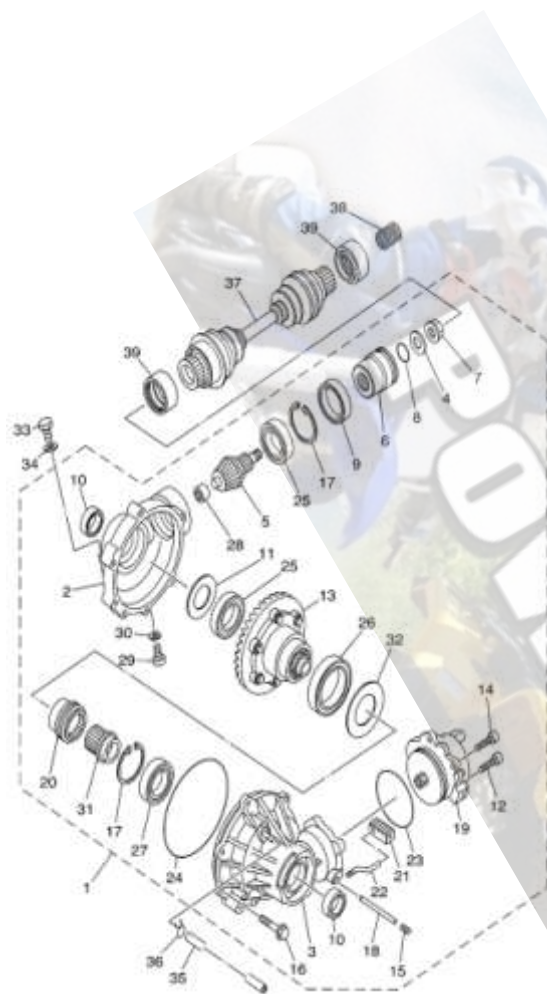
3	GB/T16674-96	Six angle flang M10×65	\$3.19
4	57230-058-0000	Dust cover(rear shaft arm)	\$2.38
5	57310-058-0000	Rear right upper shaft arm assy	\$63.73
6	56203-023-0000	Distance sleeve(L,R front shaft arm)	\$8.00
7	GB/T16674-96	Six angle flang M10×65	\$3.19
8	57230-058-0000	Dust cover(rear shaft arm)	\$1.38
9	57220-058-0000	Rear left lower shaft arm assy	\$115.52
10	56203-023-0000	Distance sleeve(L,R front shaft arm)	\$8.00
11	GB/T16674-96	Six angle flang M10×65	\$3.19
12	57320-058-0000	Right lower shaft arm assy	\$114.52
13	56302-023-0000	Distance sleeve(L,R front shaft arm)	\$8.00
14	GB/T16674-96	Six angle flang M10×65	\$3.19
15	GB/T6184-2000	Six angle self-locked M10×1.25	\$3.62
16	57221-058-0000	Left lower shaft arm cover	\$12.09
17	GB/T16674-96	Six angle flang bolt M6×12	\$1.34
18	57321-058-0000	Right lower shaft arm cover	\$12.09
19	GB/T16674-96	Six angle flang bolt M6×12	\$1.34

FRONT TRANSMISSION

No.	Part No.	Part Name And Standard	Unit Price
1	41100-058-0000	Front wheel12×6	\$119.09
2	41160-023-0000	Front tire25×8	\$90.51
3	41104-023-0000	valve inside	\$7.21
4	90303-058-0000	Nut M10×1.25	\$2.10
5	26101-058-0000	Dust cover	\$4.80
6	26103-058-0000	Self locked nut M20×1.5	\$4.24
7	56710-058-0000	Left steering knuckle assy	\$147.75
8	41111-058-0000	Soleplate,front wheel hub	\$106.26
9	27110-058-01	Left front constant speed gimbal assy	\$164.08
10	27130-058-02	Right front constant speed gimbal assy	\$164.08
11	56720-058-0000	Right steering knuckle assy	\$147.75

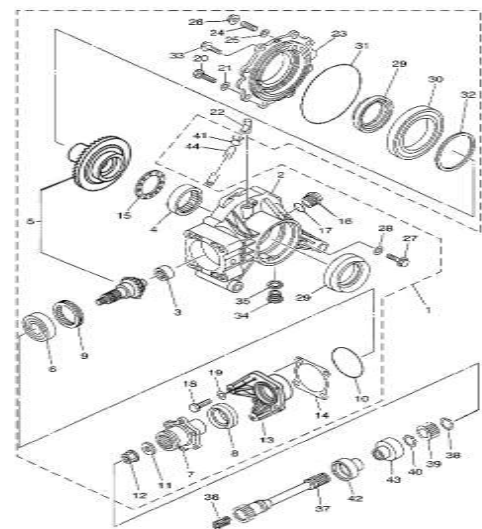
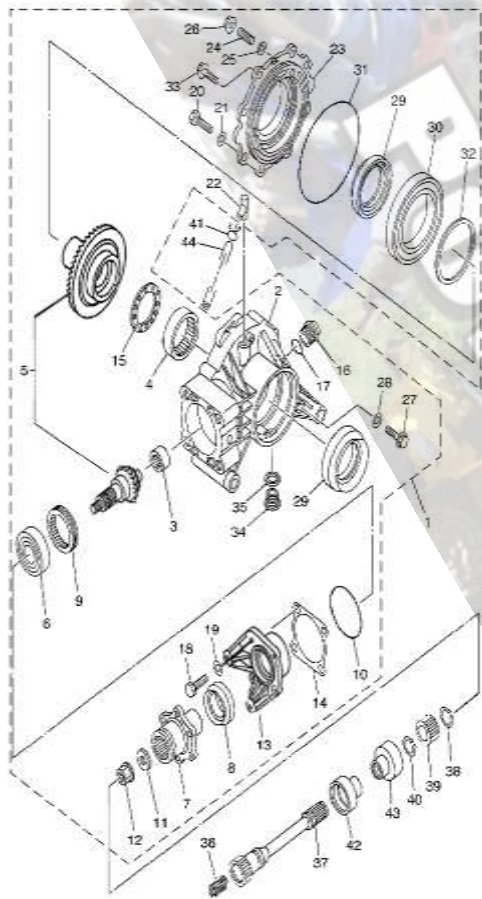


POWERMAX CANADA 500 BEARCLAWATV



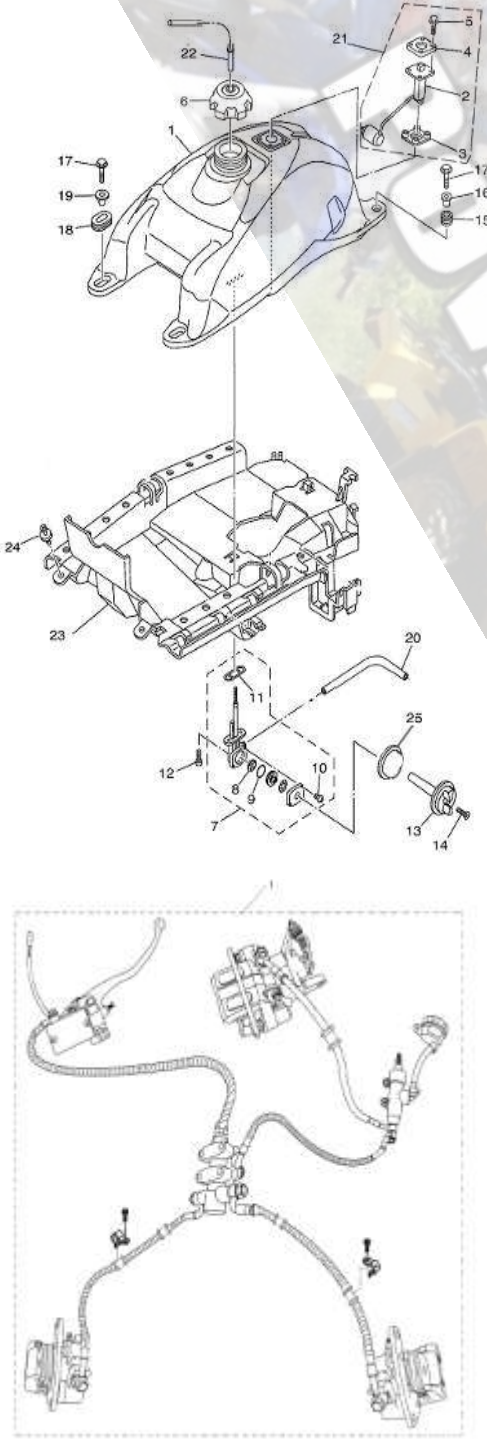
No.	Part No.	Part Name And Standard	Unit Price
FRONT DIFFERENTIAL			
1	27200-058-0000	gearshift assy,front bridge	\$934.44
2	27201-058-0000	Front bridge box casing	\$122.41
3	27202-058-0000	Box casing cover	\$129.77
4	GB/T96-85	Plain cushionφ10.5	\$4.04
5	27205-058-0000	Driving tooth,front bridge	\$112.68
6	27226-058-0000	Fit bracket drive chain	\$58.16
7	GB/T6184-2000	M10×1.25 locked nut	\$4.44
8	27216-058-0000	o-ring	\$3.08
9	27218-058-0000	Oil sealφ65×φ48	\$8.72
10	27219-058-0000	Oil seal	\$8.03
11	27213-058-0000	Adjusting gasket I	\$3.16
12	GB/T818-96	M8×20 power transfer bolt	\$3.09
13	27200-058-0000	differential gear assy	\$389.59
14	GB/T77-2000	cap screw M8×25	\$1.34
15	GB/T77-2000	cap screw M8×10	\$2.99
16	GB/T16674-96	Six angle flang bolt M10×25	\$1.63
17	GB/T8930.1-1986	φ66 circlip	\$2.87
18	27273-058-0000	φ5×80 cylindrical pin	\$6.16
19	31500-058-0000	power transfer assy	\$189.58
20	27271-058-0000	rotary joint sliding sleeve	\$36.75
21	27274-058-0000	rack	\$19.77
22	27272-058-0000	shift fork	\$11.82
23	31501-058-0000	o-ring,power transfer	\$3.16
24	27217-058-0000	o-ring	\$5.16
FRONT CASE PART			
No.	Part No.	Part Name And Standard	Unit Price
25	GB/T 276-1994	Bearing6007	\$25.26
26	GB/T 276-1994	Bearing6912	\$66.80
27	GB/T 276-1994	Bearing16007	\$23.50
28	GB/T 276-1994	needle roller bearing15BM2112	\$10.97
29	27231-058-0000	M10×16change oil bolt	\$2.54
30	27232-058-0000	φ10×1.5copper gasket	\$1.54
31	27275-058-0000	Power transfer coupling	\$43.38
32	27214-058-0000	Adjusting gasket II,differential	\$5.16
33	GB/T16674-96	M14×15 bolt	\$2.95
34	27222-058-0000	Copper gasketφ14×2	\$1.54

POWERMAX CANADA 500 BEARCLAWATV



2	26201-058-0000	Rear axle case	\$155.69
3	GB/T 276-1994	Needle bearing 22BM3010	\$22.27
4	GB/T 276-1994	Needle bearing55BM6720A	\$25.22
5	26205-058-0000	ring gear set	\$247.68
6	26235-058-0000	clamping bush	\$6.61
7	26505-058-0000	Soleplate,rear disc brake	\$92.05
8	26218-058-0000	φ65×φ48 oil seal	\$10.66
9	GB/T 276-1994	bearing	\$30.33
10	26216-058-0000	o-ring,rear drving gear	\$5.11
11	26234-058-0000	Plain cushion	\$3.65
12	GB/T6174-2000	Nut M12×1.25	\$4.16
13	26226-058-0000	Soleplate,rear driving gear	\$43.57
14	26213-058-0000	Rear adjusting gasket I	\$7.30
15	26214-058-0000	Rear adjusting gasket II	\$10.52
16	26233-058-0000	bulkhead	\$16.54
17	26222-058-0000	o-ring	\$1.30
18	GB/T16674-2000	Six angle bolt M8×35	\$1.11
19	GB/T96-85	Plain cushionφ8	\$0.43
20	GB/T16674-2000	Six angle bolt M8×35	\$1.11
21	GB/T96-85	Plain cushionφ8	\$0.43
22	26236-058-0000	Zinc alloy flowing bean	\$15.16
23	26202-058-0000	Case cover,rear axle	\$48.16
24	GB/T77-200	dcap screw M8×45	\$7.45
DRIVE SAAFT		SHAFT	
No.	Part No.	Part Name And Standard	Unit Price
25	GB/T96-85	Copper gasketφ8	\$0.85
26	GB/T6174-2000	Flang nutM8	\$0.38
27	GB/T16674-2000	Six flang bolt M8×12	\$0.91
28	GB/T96-85	Copper gasketφ8	\$0.85
29	26219-058-0000	oil seal	\$9.61
30	GB/T 276-1994	Bearing l6017	\$98.33
31	26217-058-0000	o-ring,rear axle case cover	\$7.16
32	26215-058-0000	Rear adjusting gasketIII	\$3.25
33	GB/T16674-2000	Six angle flang bolt M10×25	\$0.64
34	26228-058-0000	Bulkhead M14×15	\$4.54
35	GB/T96-85	Copper gasketφ14	\$0.75
36	26508-058-0000	Spring,rear-axle transmission shaft	\$1.46
37	26501-058-0000	Rear-axle transmission shaft	\$74.41
38	GB/T894.1-1986	Circlipφ18	\$3.14
39	26504-058-0000	jointsleeve,rear axle transmission shaft	\$19.99
40	GB/T894.1-1986	Circlipφ18	\$3.14
41	26109-058-0000	circlipφ11	\$3.05
42	26502-058-0000	Front dust cover,rear axle transmission shaft	\$6.41

POWERMAX CANADA 500 BEARCLAWATV



FUELTANK PART			
No.	Part No.	Part Name And Standard	Unit Price
1	81100-058-0000	fuel tank comp	\$126.37
2	36210-058-0000	sensor	
3	36201-058-0000	gasket	
4	36202-058-0000	holder	
5	GB/T16674-96	sexangle flang bolt M5×14	
6	81300-058-0000	fuel tank cap	\$23.19
7	81400-023-0000	fuel switch	\$21.39
8	8140-023-0000	seal cushion,fuel switch	\$3.84
9	81406-023-0000	gasket	\$0.94
10	GB818-85	head screw M5×12,cross groove plate	\$0.21
11	81407-023-0000	connecting seal gasket	\$2.12
12	GB818-85	head screw M5×12,cross groove plate	\$1.21
13	81401-023-0000	fuel switch lever	\$3.69
14	GB818-85	head screw M4×15,cross groove plate	\$0.62
15	81106-023-0000	two-sided rubber gasket,fuel tank rear	\$3.06
16	81103-023-0000	convex collar,fuel tank front	\$4.48
17	GB/T5783-2000	sexangle bolt M6×30	\$0.94
18	81105-023-0000	two-sided rubber gasket,fuel tank front	\$3.86
19	81103-023-0000	convex collar,fuel tank front	\$2.48
20	16501-058-0000	fuel tube	\$3.46
21	36200-058-0000	sensor	\$32.31
22	16511-023-0000	breather pipe,fuel tank cap	\$3.63
23	81108-058-0000	Risist heat plate	\$87.21
24	90302-058-0000	bolt	\$0.84
25	81402-058-0000	Handle cover	\$3.36
DISK BRAKE PUMP ASSY			
No.	Part No.	Part Name And Standard	Unit Price
1	44300-058-0000	disk brake fuel pump assy(include disc brake clamp)	\$439.80

