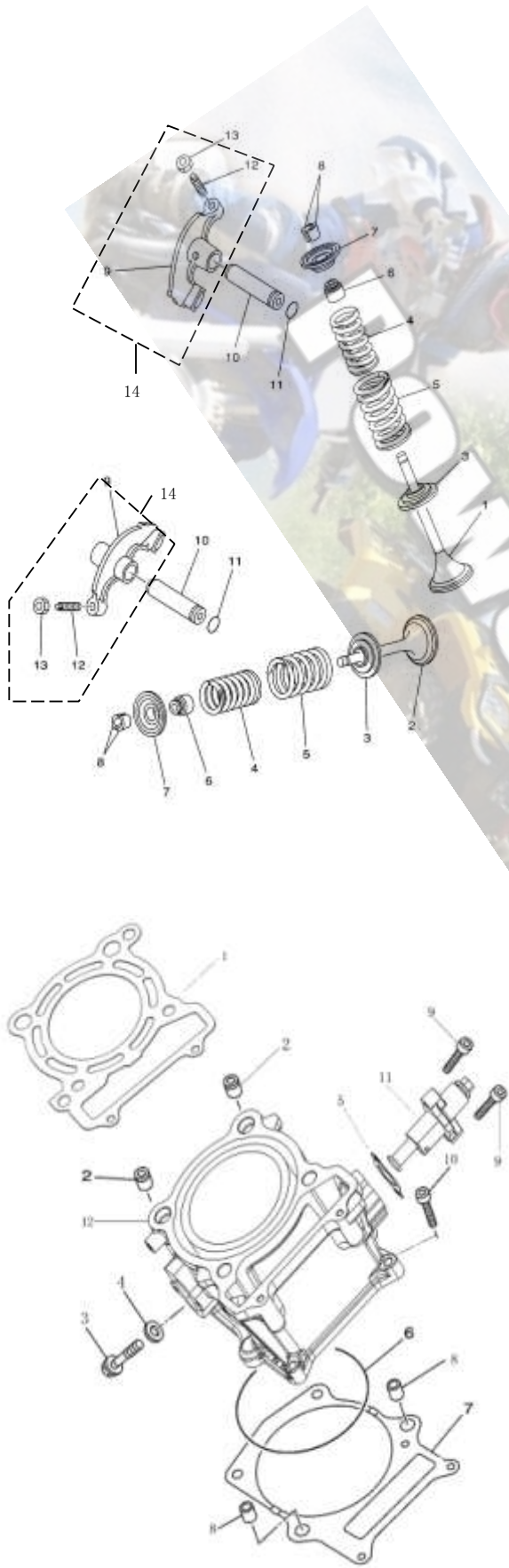
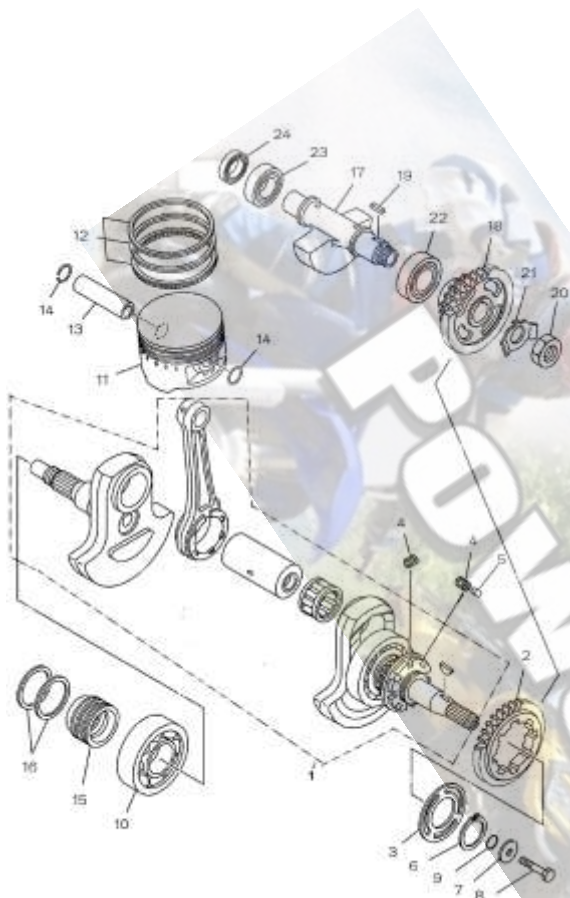


POWERMAX CANADA 500 BEARCLAWATV



VALVES			
No.	Part No.	Part Name And Standard	Unit Price
1	14711-F11-0000	INTAKE VALVE	\$15.97
2	14721-F11-0000	EXHAUST VALVE	\$31.97
3	14771-F11-0000	SEAT, VALVE SPRING	\$2.18
4	14761-F11-0000	SPRING, INNER VALVE	\$3.28
5	14751-F11-0000	SPRING, OUTER VALVE	\$3.46
6	12209-F11-0000	oil proof cover	\$1.38
7	14775-F11-0000	RETAINER, VALVE	\$4.35
8	14781-F11-0000	valve clip	\$1.35
9	14401-F18-0000	VALVE ROCKER	\$17.10
10	14451-F11-0000	ROCKER SHAFT	\$15.44
11	91211-F11-0000	O-RING 9×2	\$2.17
12	90012-F11-0000	adjusting screw ,valve	\$4.99
13	90206-F11-0000	adjusting nut ,valve	\$2.69
14	14400-F18-0000	VALVE ROCKER ASSY	\$23.10
CYLINDER			
No.	Part No.	Part Name And Standard	Unit Price
1	12250-F18-0000	GASKET, CYLINDER HEAD	\$39.10
2	90801-F39-0000	PIN 14×16	\$1.89
3	GB/T 16674-1996	FLANGE BOLT M6×14	\$5.89
4	90601-F18-0000	WASHER 6×13×1.5	\$2.26
5	14508-F11-0000	GASKET, TENSIONER CASE	\$3.34
6	91207-F39-0000	O-RING 90×3	\$6.12
7	12150-F18-0000	GASKET, CYLINDER body	\$14.24
8	90801-F39-0000	PIN 14×16	\$1.89
9	GB/T 70.1-2000	BOLT M6×25	\$0.93
10	GB/T 70.1-2000	BOLT M6×30	\$1.14
11	14500-F11-0000	TENSIONER ASSY	\$53.78
12	12100-F18-0000	cylinder body assy	\$312.19

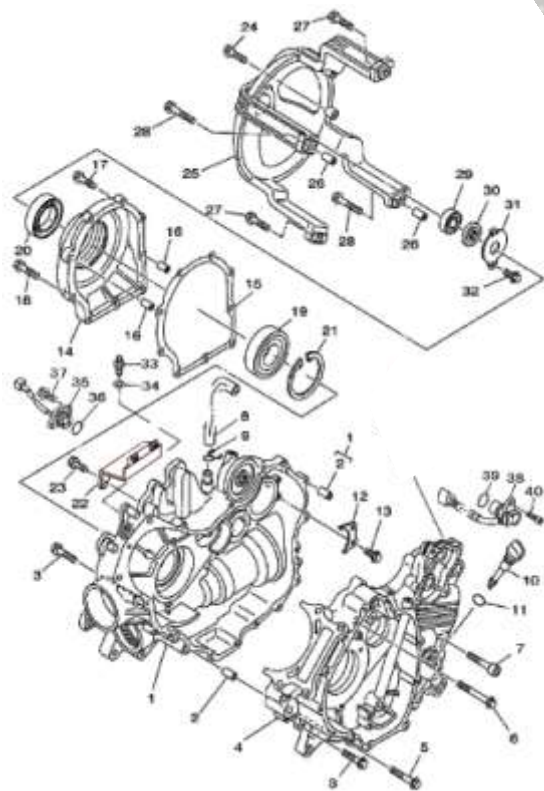
POWERMAX CANADA 500 BEARCLAWATV



11	13101-F18-0000	PISTON	\$68.74
12	13120-F18-0000	PISTON RING SET	\$33.70
13	13111-F18-0000	piston pin	\$17.04
14	91301-F18-0000	piston CIRCLIP	\$4.01
15	13401-F39-0000	seal ring set	\$27.10
16	13402-F39-0000	seal ring	\$13.16
17	13300-F18-0000	balance shaft assy	\$86.08
18	13320-F39-0000	balance driven gear assy	\$116.89
19	GB/T 1095-2003	KEY B5×12.4	\$2.82
20	GB/T6172.1-2000	NUT M18×1	\$5.48
21	13321-F39-0000	LOCK WASHER	\$3.06
22	GB/T 276-1994	BEARING 6305	\$31.12

CRANKSHAFT PISTON

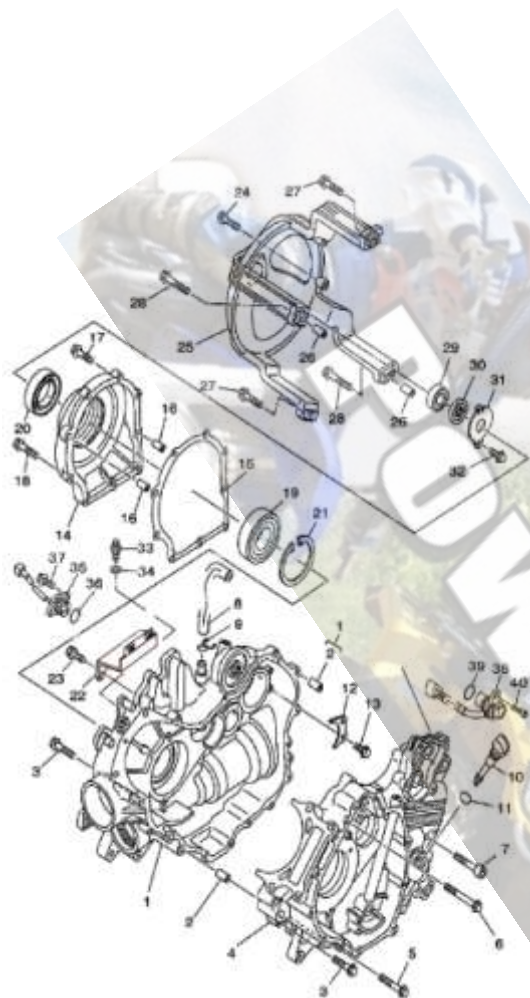
No.	Part No.	Part Name And Standard	Unit Price
23	GB/T 276-1994	BEARING 6304R	\$31.35
24	91101-F39-0000	OIL SEAL 20×30×7	\$8.34



CRANKCASE

No.	Part No.	Part Name And Standard	Unit Price
1	11200-F39-0000	right crankcase assy	\$258.81
2	90803-F11-0000	PIN 10×15.7	\$0.89
3	GB/T 16674-1996	FLANGE BOLT M6×30	\$0.94
4	11100-F39-0000	left crankcase assy	\$253.08
5	GB/T 16674-1996	FLANGE BOLT M6×40	\$1.05
6	GB/T 5789-1986	FLANGE BOLT M6×55	\$2.05

POWERMAX CANADA 500 BEARCLAWATV



7	GB/T 70.1-2000	screw M8×40	\$3.08
8	91202-058-0000	exhaust pipe of engine	\$16.81
9	91503-058-0000	exhaust pipe CLIP	\$1.18
10	15651-F39-0000	oil guage	\$12.36
11	91216-F39-0000	O-RING 20×2.3	\$3.34
12	11111-F39-0000	BEARING PLATE	\$3.99
13	GB/T 16674-1996	FLANGE BOLT M6×14	\$0.42
14	21240-F39-0000	BEARING HOUSING	\$35.49
15	21241-F39-0000	GASKET, BEARING HOUSING	\$7.72
16	90803-F11-0000	PIN 10×16	\$0.74
17	GB/T 16674-1996	FLANGE BOLT M6×30	\$0.94
18	GB/T 16674-1996	FLANGE BOLT M6×40	\$0.75
19	GB/T 276-1994	BEARING 16010	\$40.25
20	91102-F39-0000	OIL SEAL 35×65×8	\$7.92
21	90704-F39-0000	CIRCLIP 80	\$5.22
22	17115-F39-0000	exhaust pipe BRACKET	\$8.91

CRANKCASE

No.	Part No.	Part Name And Standard	Unit Price
23	GB/T 5789-1986	FLANGE BOLT M6×16	\$0.93
24	GB/T 5789-1986	FLANGE BOLT M6×20	\$1.63
25	11330-F39-0000	clutch protector bracket	\$94.03
26	90801-F39-0000	PIN 10×16	\$0.94
27	GB/T 5789-1986	FLANGE BOLT M6×30	\$0.84
28	GB/T 5789-1986	FLANGE BOLT M6×40	\$0.75
29	GB/T 276-1994	BEARING 6201RD	\$15.19
30	91101-F12-0000	OIL SEAL 12×32×6	\$2.16
31	11331-F12-0000	oil seal PLATE	\$1.98
32	GB/T 16674-1996	FLANGE BOLT M6×12	\$0.73
33	37180-F12-0000	gearshift switch	\$12.18
34	90603-F12-0000	gasket 10×16×1	\$0.75
35	37120-F39-0000	gearshift indicator	\$14.31
36	91208-F39-0000	o-seal ring 29.6×2.4	\$3.49
37	GB/T 9074.14-88	gasket M6×16	\$2.03
38	36500-F39-0000	speed sensor	\$29.07
39	91209-F39-0000	o-seal ring 14.8×2.45	\$3.29
40	GB/T 70.1-2000	bolt M6×16	\$0.73

CRANKCASE COVER 1

No.	Part No.	Part Name And Standard	Unit Price
1	11321-F39-0000	left front cover	\$95.10
2	11323-F39-0000	GASKET,left front cover	\$9.64

