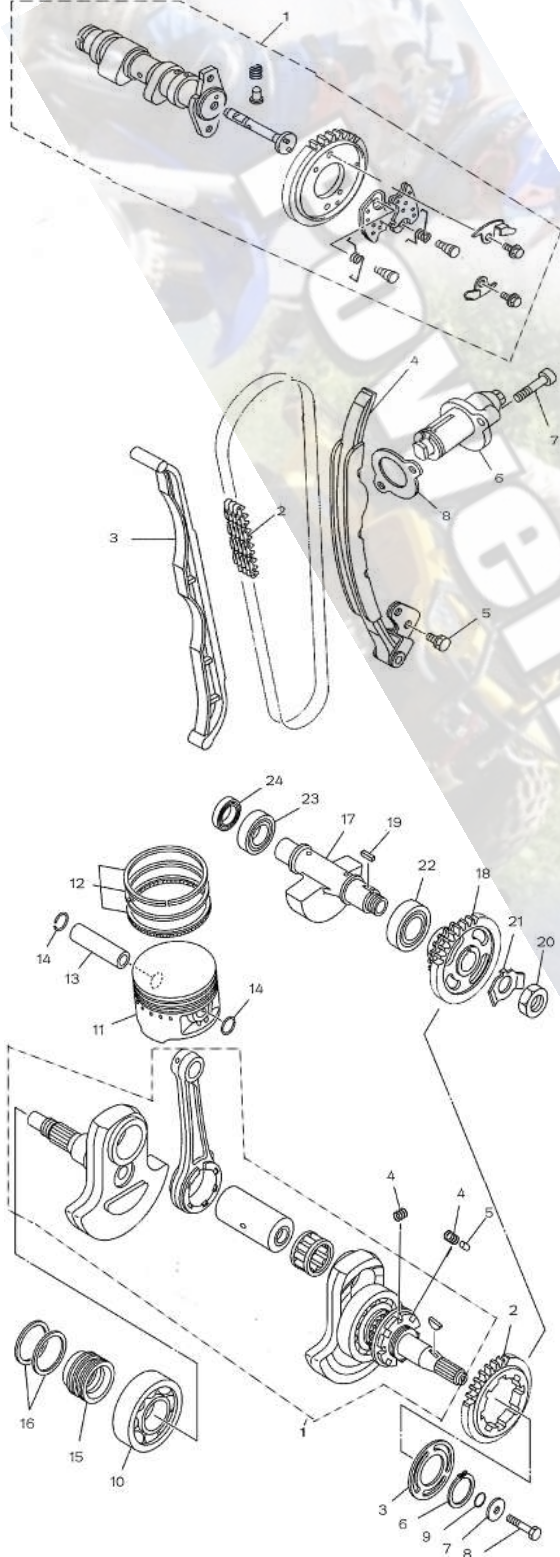


POWERMAX CANADA 700 UTV ROUGH-RIDER



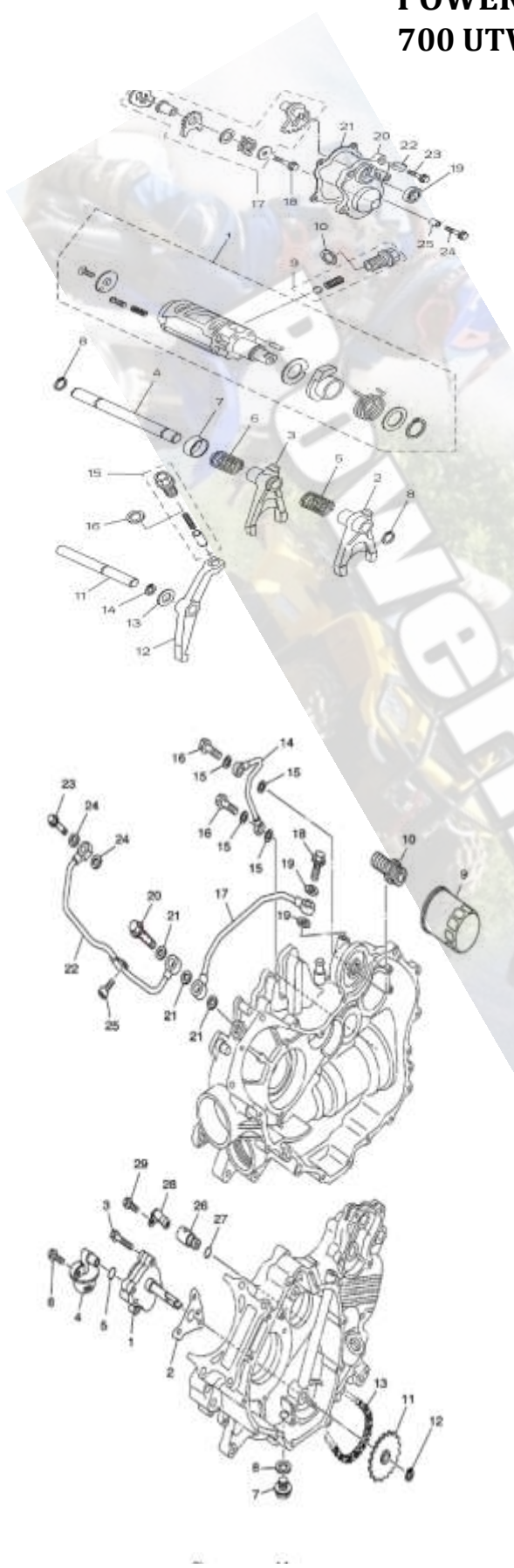
CAMSHAFT CHAIN

No.	Part No.	Part Name And Standard	Unit Price
1	14100-F39-0000	CAMSHAFT ASSY	\$311.47
2	M7-6.35-126	CHAIN (92RH2010-126M)	\$45.13
3	14630-F39-0000	GUIDE STOPPER 1	\$27.98
4	14520-F39-0000	GUIDE STOPPER 2	\$42.16
5	GB/T 9074.14-88	BOLT	\$1.83
6	14500-F39-0000	TENSIONER ASSY CAM CHAIN	\$73.79
7	GB/T 70.1-2000	BOLT M6×25	\$1.53
8	14508-F39-0000	GASKET TENSIONER CASE	\$12.34

700CRANKSHAFT PISTON

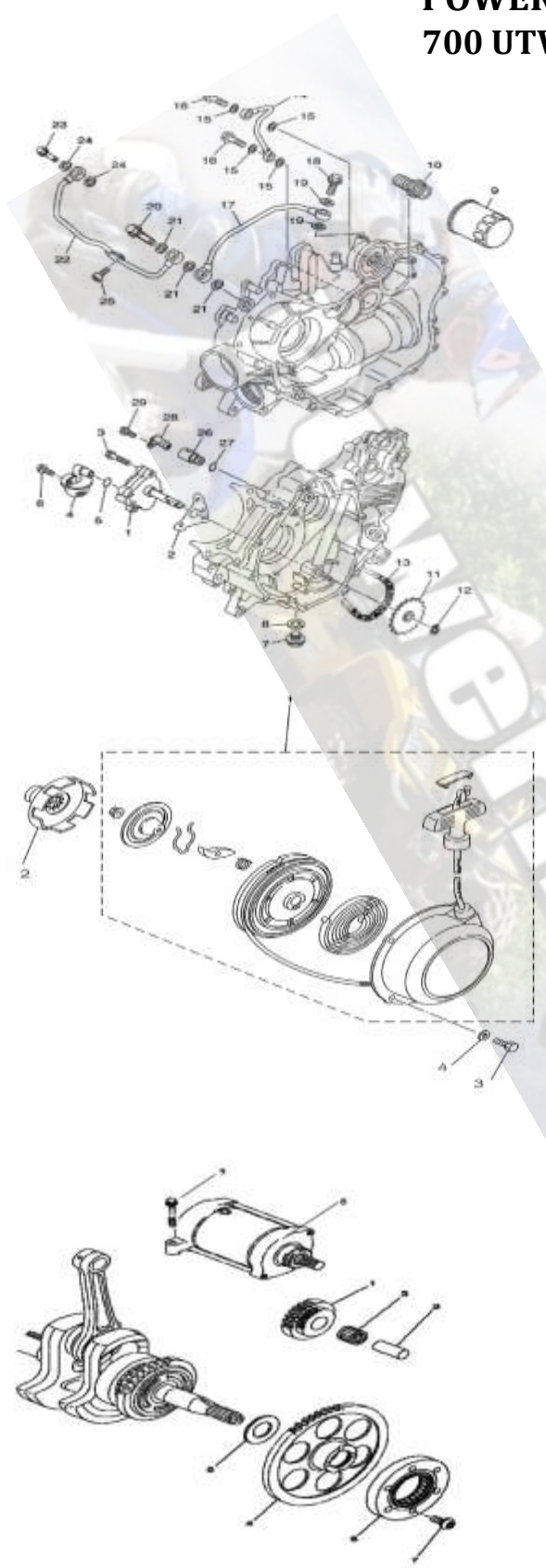
No.	Part No.	Part Name And Standard	Unit Price
1	13200-F39-0000	CRANKSHAFT ASSY	\$585.89
2	13304-F39-0000	GEAR DRIVE	\$66.76
3	13305-F39-0000	WASHER BEARING COVER	\$14.22
4	13302-F39-0000	SPRING COMPRESSION	\$5.84
5	13303-F39-0000	PIN DOWEL6×9.4	\$1.47
6	90701-F39-0000	CIRCLIP35	\$8.61

POWERMAX CANADA 700 UTV ROUGH-RIDER



SHIFT CAM FORK			
No.	Part No.	Part Name And Standard	Unit Price
1	23200-F39-0000	SHIFT CAM ASSY	\$227.16
2	23101-F39-0000	R FORK	\$50.79
3	23102-F39-0000	HL FORK	\$48.10
4	23103-F39-0000	FORK SHAFT	\$19.16
5	23104-F39-0000	SPRING COMPRESSION	\$14.08
6	23105-F39-0000	SPRING COMPRESSION	\$14.09
7	23106-F39-0000	CAP SPRING	\$7.58
8	90702-F39-0000	CIRCLIP 12	\$6.83
9	23300-F39-0000	GEAR STATION BOLT COMP	\$9.48
10	90617-F39-0000	GASKET 14×22×1	\$11.04
11	43601-F39-0000	SHAFT, SHIFTER	\$13.46
12	43602-F39-0000	LEVER, STOPPER	\$64.53
13	90608-F39-0000	WASHER 12.3×20×1	\$1.75
14	90702-F39-0000	CIRCLIP12	\$1.73
15	43610-F39-0000	PARKING STATION BOLT COMP	\$22.30
16	90609-F39-0000	GASKET 14×20×1.5	\$5.77
17	23340-F39-0000	GEAR ROCKER MAIN/SIDE GEAR COMP	\$85.58
18	GB/T 5789-1986	BOLT M6×35	\$1.24
19	91111-F12-0000	OIL SEAL15×25×5	\$12.97
20	23311-F39-0000	GEAR ROCKER SIDE COVER	\$38.07
21	23312-F39-0000	GEAR ROCKER SIDE COVER CUSHION	\$24.10
22	91602-F39-0000	CLIP II	\$6.40
23	GB/T 16674-1996	BOLT M6×20	\$1.73
24	GB/T 16674-1996	BOLT M6×30	\$1.84
25	90803-F39-0000	DOWEL PIN 8×11.7	\$1.59
OIL PUMP			
No.	Part No.	Part Name And Standard	Unit Price
1	15100-F39-0000	OIL PUMP ASSY	\$124.73
2	15101-F39-0000	GASKET PUMP COVER	\$11.82
3	GB/T 16674-1996	BOLT M6×40	\$1.45
4	15300-F39-0000	STRAINER HOUSING ASSY	\$43.34
5	91210-F39-0000	O-RING14×2.3	\$5.92
6	GB/T 16674-1996	BOLT M6×14	\$1.21
7	GB/T 5789-1986	BOLT M14×1.5-6H-16	\$4.19
8	90612-F39-0000	WASHET 14×22×1	\$1.79
9	15200-F39-0001	ELEMENT ASSY OIL CLEANER	\$15.08

POWERMAX CANADA 700 UTV ROUGH-RIDER



10	15201-F39-0001	BOLT UNION	\$24.69
11	15202-F39-0000	SPROCKET DRIVEN	\$43.39
12	90703-F39-0000	CIRCLIP 11	\$4.83
13	04CH-70	CHAIN (DID25SD DHA)	\$46.65
14	15301-F39-0000	PIPE DELIVERY 1	\$34.62
15	90613-F39-0000	WASHET 8.4×15×2	\$1.86
16	15304-F39-0000	BOLT I M8×20	\$3.27
17	15302-F39-0000	PIPE DELIVERY 2	\$46.62
18	15305-F39-0000	BOLT II M14×28.5	\$6.43
19	90609-F39-0000	WASHET 14×20×1.5	\$3.17
20	15307-F39-0000	BOLT IV M14×50	\$6.60
21	90609-F39-0000	WASHET 14×20×1.5	\$3.17
22	15303-F39-0000	PIPE DELIVERY 3	\$49.10
23	15306-F39-0000	BOLT III M14×50	\$3.19
24	90614-F39-0000	WASHET 10.2×16×1.2	\$2.91
25	GB/T 70.1-2000	BOLT M6×12	\$1.63
26	15360-F39-0000	RELIEF VALVE ASSY	\$32.62
27	91211-F39-0000	O-RING 10×2.45	\$7.34
28	15361-F39-0000	PLATE	\$1.16
29	GB/T 16674-1996	BOLT M6×12	\$1.43

STARTER

No.	Part No.	Part Name And Standard	Unit Price
1	24400-F12-0000	STARTER ASSY	\$190.36
2	24410-F12-0000	PULLEY STARTER	\$64.17
3	GB/T9074.14-88	BOLT M6×14	\$1.32
4	GB/T95-2002	WASHER B6	\$0.95

STARTER CLUTCH

No.	Part No.	Part Name And Standard	Unit Price
-----	----------	------------------------	------------

